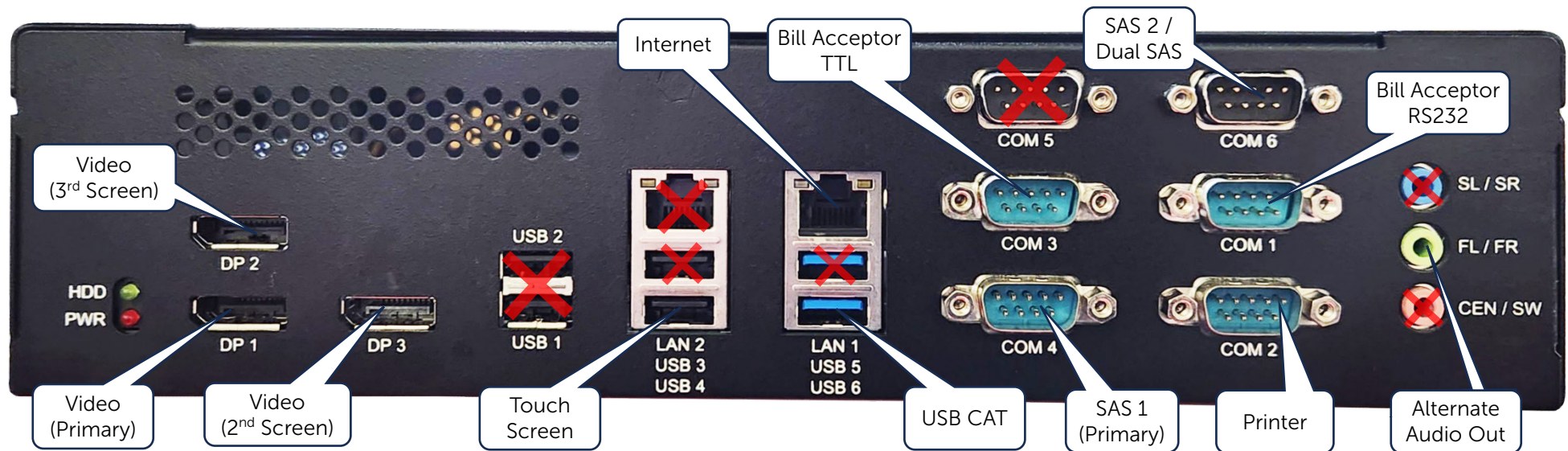


Port Connections



Port Guide

- **DP 1*** – Video 1 (Primary, Single Screen)
- **DP 2*** – Video 2 (3rd Screen)
- **DP 3*** – Video 3 (2nd Screen)
- USB 1 – Not Used
- USB 2 – Not Used
- USB 3 – Not Used
- **USB 4** – Touch Screen
- USB 5 – Not Used
- **USB 6** – USB CAT

***NOTE:** If using a single screen, video should be connected to DP 1. (DisplayPort 1) If a second screen is in use, it should be connected to DP 3 and a third screen to DP 2.

- **LAN 1** – Internet
- **COM 1** – Bill Acceptor RS232
- **COM 2** – Printer
- **COM 3** – Bill Acceptor TTL
- **COM 4** – SAS 1 (Primary)
- COM 5 – Not Used
- **COM 6** – SAS 2 / Dual SAS (If Supported by Game)
- SL / SR – Not Used
- **FL / FR** – Alternate Audio Out (Not Amplified)
- CEN / SW – Not Used

Intralot Build Numbers

Please note that Intralot Build Numbers may be different from Primero Build Numbers in that they may be missing some zeros. For Example: **Primero Build** = PC-PGGA-JOKER_PARTY-HD-MG-v1.01.0015 **Intralot Build** = PC-GA-JOKERPARTY-HD-v1.1.15

Zeros

No Zeros